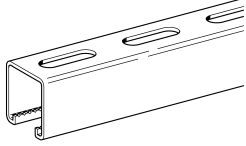
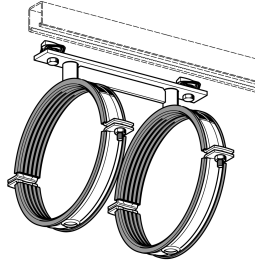


**Channel 41**



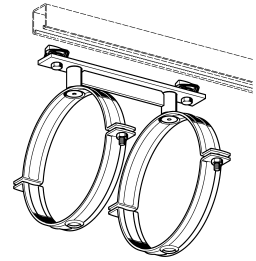
Page 1-3

**Fixed Point MS w/ Lining**



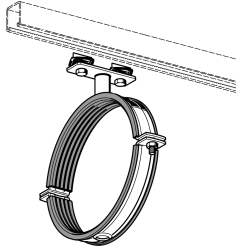
Page 1-4

**Fixed Point MS w/o Lining**



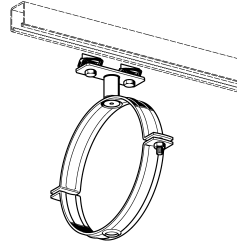
Page 1-5

**Intermediate Fixed Point MS w/ Lining**



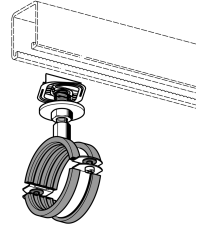
Page 1-6

**Intermediate Fixed Point MS w/o Lining**



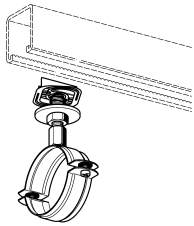
Page 1-7

**Standard Fastening MS w/ Lining**



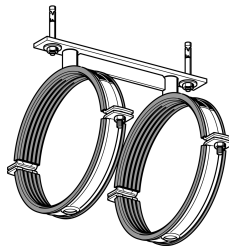
Page 1-8

**Standard Fastening MS w/o Lining**



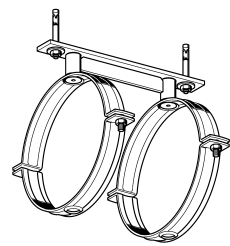
Page 1-9

**Fixed Point BE w/ Lining**



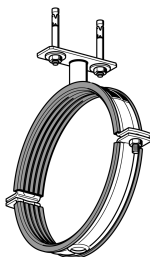
Page 1-10

**Fixed Point BE w/o Lining**



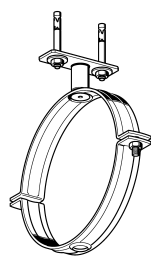
Page 1-11

**Intermediate Fixed Point BE w/ Lining**



Page 1-12

**Intermediate Fixed Point BE w/o Lining**



Page 1-13

**Standard Fastening BE w/ Lining**

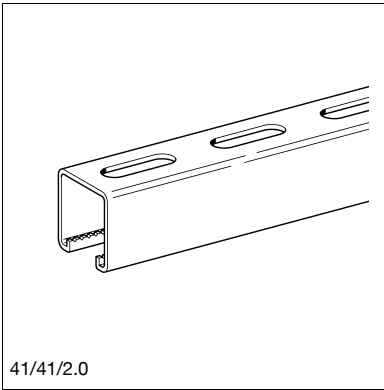


Page 1-14

### Standard Fastening BE w/o Lining



Page 1-15



41/41/2.0

### Channel 41

#### Application

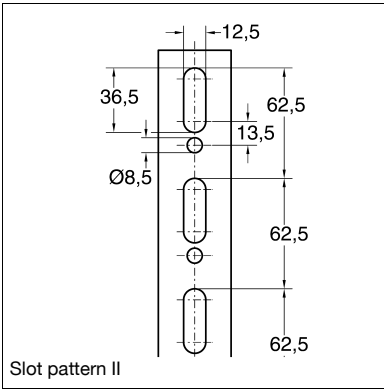
Basic element for easy and professional assembly of load carrying systems. All channels 41 suit as bearing rail for Standard Fastenings MS and Fixed Points MS. For fixation of pipes  $\geq 160$  always use channels  $\geq 41/41/2,0$ .

All channels 41 are serrated on the inner edges and thus can be combined with many other Sikla products, e.g. Channel Nuts, End Supports WBD, Beam Clamps TCS 1, Pressix CC 41, etc.

#### Technical Data

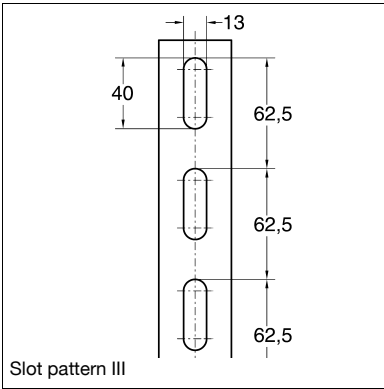
Material: Steel, galvanised according to DIN EN 10327

For further technical data, see Product System "Siconnect".

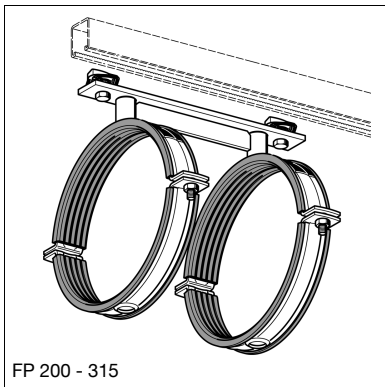
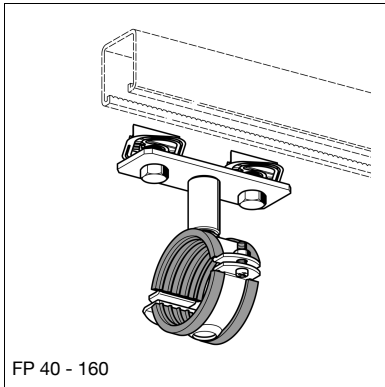


Slot pattern II

Type	Length [m]	Slot pattern	Weight [kg/m]	Qty./ [m]	Part number
41/21/1.5	6	2	1.10	6	<b>173846</b>
41/21/2.0	6	3	1.32	6	<b>193709</b>
41/41/2.0	6	3	1.97	6	<b>193747</b>
41/41/2.5	6	3	2.30	6	<b>166720</b>
41/45/2.5	6	3	2.47	6	<b>193761</b>
41/62/2.5	6	3	3.13	6	<b>193792</b>



Slot pattern III



### Fixed Point MS w/ Lining

#### Application

Soundproof Fixed Point construction for secure absorption of high mechanical loads resulting from Siaqua DSS Systems. Especially applicable for fixations according to DIN 4109.

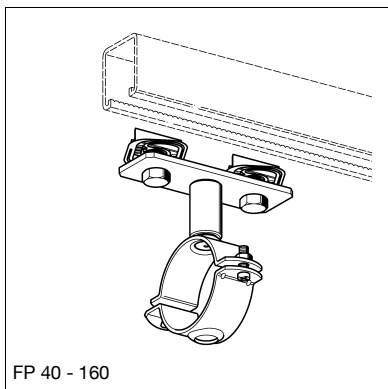
#### Configuration

Pipe clamp(s) Stabil D-3G with lining and pre-assembled fixed point adaptations, suitable for sizes 40 up to 315. With single thread connection for sizes 40 up to 160 and double thread connection for sizes 200 up to 315.

#### Installation

The entire fixed point module is put into the channel opening and locks automatically. While positioning the distances, the module is securely guided in the channel opening. Then hexagon bolts are tightened.

Type	W [kg]	Quantity/ [pack]	Part number
FP 40 MS m.E.	0.45	1	<b>602325</b>
FP 50 MS m.E.	0.47	1	<b>602335</b>
FP 56 MS m.E.	0.48	1	<b>602345</b>
FP 63 MS m.E.	0.49	1	<b>602355</b>
FP 75 MS m.E.	0.58	1	<b>602365</b>
FP 90 MS m.E.	0.60	1	<b>602375</b>
FP 110 MS m.E.	0.66	1	<b>602385</b>
FP 125 MS m.E.	0.69	1	<b>602395</b>
FP 160 MS m.E.	1.21	1	<b>602405</b>
FP 200 MS m.E.	3.93	1	<b>602415</b>
FP 250 MS m.E.	4.39	1	<b>602425</b>
FP 315 MS m.E.	5.00	1	<b>602435</b>



### Fixed Point MS w/o Lining

**Application**

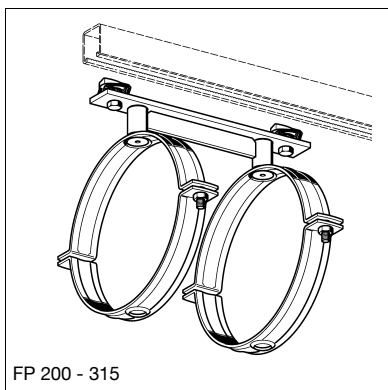
Fixed point construction for secure absorption of high mechanical loads resulting from Siaqua DSS Systems.

**Configuration**

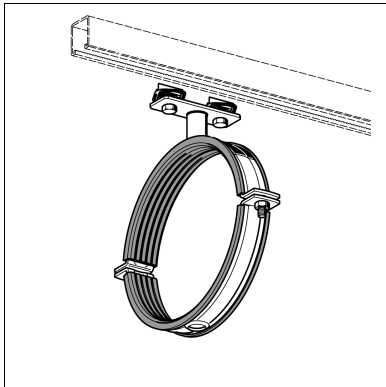
Pipe clamp(s) Stabil D-3G without lining and pre-assembled fixed point adaptions, suitable for sizes 40 up to 315. With single thread connection for sizes 40 up to 160 and double thread connection for sizes 200 up to 315.

**Installation**

The entire fixed point module is put into the channel opening and locks automatically. While positioning the distances, the module is securely guided in the channel opening. Then hexagon bolts are tightened.



Type	W [kg]	Quantity/ [pack]	Part number
FP 40 MS o.E.	0.45	1	<b>602320</b>
FP 50 MS o.E.	0.47	1	<b>602330</b>
FP 56 MS o.E.	0.48	1	<b>602340</b>
FP 63 MS o.E.	0.49	1	<b>602350</b>
FP 75 MS o.E.	0.58	1	<b>602360</b>
FP 90 MS o.E.	0.60	1	<b>602370</b>
FP 110 MS o.E.	0.67	1	<b>602380</b>
FP 125 MS o.E.	0.69	1	<b>602390</b>
FP 160 MS o.E.	1.21	1	<b>602400</b>
FP 200 MS o.E.	3.34	1	<b>602410</b>
FP 250 MS o.E.	3.75	1	<b>602420</b>
FP 315 MS o.E.	5.09	1	<b>602430</b>



## Intermediate Fixed Point MS w/ Lining

### Application

Soundproof intermediate fixed point construction for secure absorption of shear forces resulting from branch pipes. By means of intermediate fixed points the arising collateral forces resulting from branch pipe sections are securely absorbed. Especially applicable for soundproof demands according to DIN 4109.

### Configuration

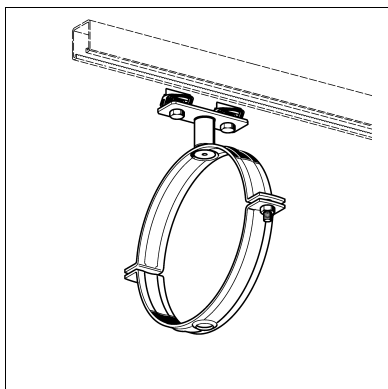
Pipe Clamp Stabil D-3G with lining and pre-assembled fixed point adaption with single thread connection, suitable for sizes 200 up to 315

### Installation

The entire fixed point module is pushed into the channel opening and locks automatically. While positioning the distances, the module is securely guided in the channel opening. Then hexagon bolts are tightened.

▷ For sizes 40 up to 160 Fixed Points MS with lining are used.

Type	W [kg]	Quantity/ [pack]	Part number
ZFP 200 MS m.E.	1.66	1	<b>602445</b>
ZFP 250 MS m.E.	1.89	1	<b>602455</b>
ZFP 315 MS m.E.	2.20	1	<b>602465</b>



## Intermediate Fixed Point MS w/o Lining

### Application

Intermediate fixed point construction for secure absorption of shear forces resulting from branch pipes. By means of intermediate fixed points the arising collateral forces resulting from branch pipe sections are securely absorbed.

### Configuration

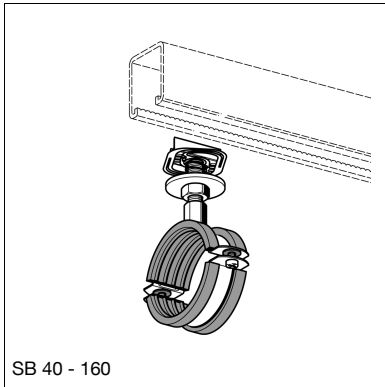
Pipe Clamp Stabil D-3G without lining and pre-assembled fixed point adaption with single thread connection, suitable for sizes 200 up to 315.

### Installation

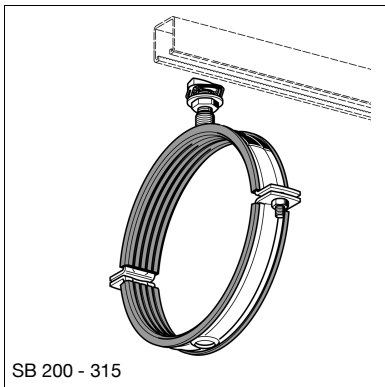
The entire fixed point module is pushed in the channel opening and locks automatically. While positioning the distances, the module is securely guided in the channel opening. Then hexagon bolts are tightened.

▷ For sizes 40 up to 160 Fixed Points MS without lining are used.

Type	W [kg]	Quantity/ [pack]	Part number
ZFP 200 MS o.E.	1.39	1	<b>602440</b>
ZFP 250 MS o.E.	1.59	1	<b>602450</b>
ZFP 315 MS o.E.	2.26	1	<b>602460</b>



SB 40 - 160



SB 200 - 315

### Standard Fastening MS w/ Lining

#### Application

Soundproof Standard Fastening in combination with Sikla channels, also satisfying soundproof demands according to DIN 4109.

#### Configuration

Pipe clamp Ratio S 2000 with pre-assembled clamp adaption M10, suitable for sizes 40 up to 160.

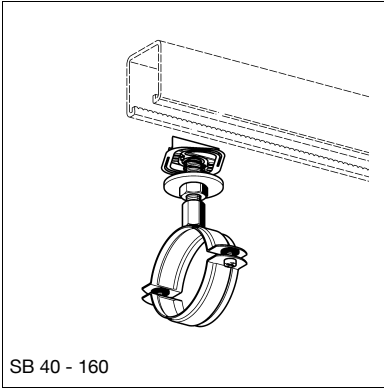
Pipe clamp Stabil D-3G with lining with pre-assembled clamp adaption M16, suitable for sizes 200 up to 315.

#### Installation

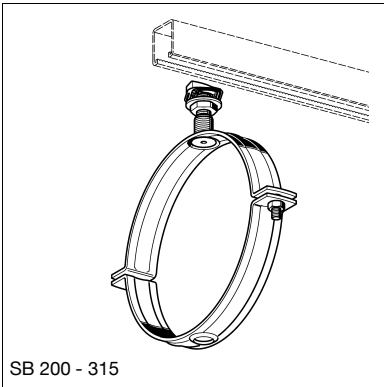
The entire module is pushed into the channel opening and locks automatically. While positioning the distances, the module is securely guided in the channel opening. Then hexagon bolt is tightened.

Type	W [kg]	Quantity/ [pack]	Part number
SB 40 MS m.E.	0.19	1	<b>602205</b>
SB 50 MS m.E.	0.20	1	<b>602215</b>
SB 56 MS m.E.	0.20	1	<b>602225</b>
SB 63 MS m.E.	0.22	1	<b>602235</b>
SB 75 MS m.E.	0.24	1	<b>602245</b>
SB 90 MS m.E.	0.33	1	<b>602255</b>
SB 110 MS m.E.	0.44	1	<b>602265</b>
SB 125 MS m.E.	0.46	1	<b>602275</b>
SB 160 MS m.E.	0.56	1	<b>602285</b>
SB 200 MS m.E.	1.49	1	<b>602295</b>
SB 250 MS m.E.	1.72	1	<b>602305</b>
SB 315 MS m.E.	2.03	1	<b>602315</b>





SB 40 - 160



SB 200 - 315

## Standard Fastening MS w/o Lining

### Application

Standard Fastening in combination with Sikla channels.

### Configuration

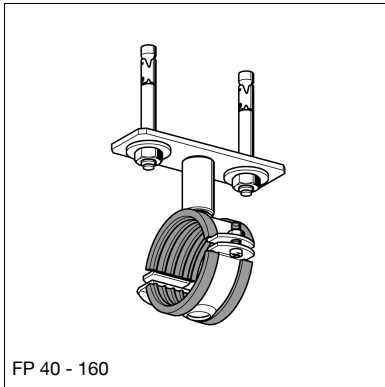
Duo Clamp 2G without lining with pre-assembled clamp adaption M10, suitable for sizes 40 up to 124.

Pipe Clamp Stabil D-3G without lining with pre-assembled clamp adaption, suitable for sizes 160 to 315.

### Installation

The entire module is pushed into the channel opening and locks automatically. While positioning the distances, the module is securely guided in the channel opening. Then hexagon bolt is tightened.

Type	W [kg]	Quantity/ [pack]	Part number
SB 40 MS o.E.	0.16	1	602200
SB 50 MS o.E.	0.18	1	602210
SB 56 MS o.E.	0.18	1	602220
SB 63 MS o.E.	0.19	1	602230
SB 75 MS o.E.	0.25	1	602240
SB 90 MS o.E.	0.28	1	602250
SB 110 MS o.E.	0.29	1	602260
SB 125 MS o.E.	0.35	1	602270
SB 160 MS o.E.	0.47	1	602280
SB 200 MS o.E.	1.22	1	602290
SB 250 MS o.E.	1.42	1	602300
SB 315 MS o.E.	2.09	1	602310



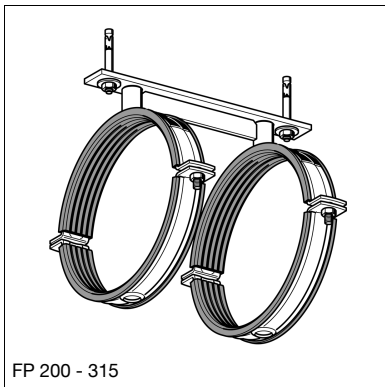
### Fixed Point BE w/ Lining

#### Application

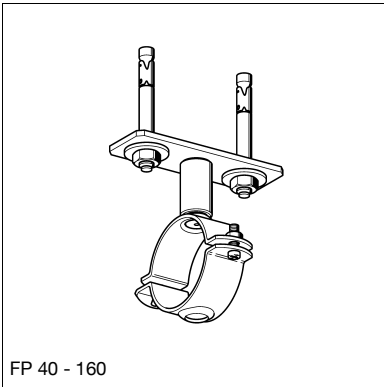
Soundproof fixed point construction for secure absorption of high mechanical loads resulting from Siaqua DSS-Systems, being directly fixed to concrete. Especially suitable for standards according to DIN 4109.

#### Configuration

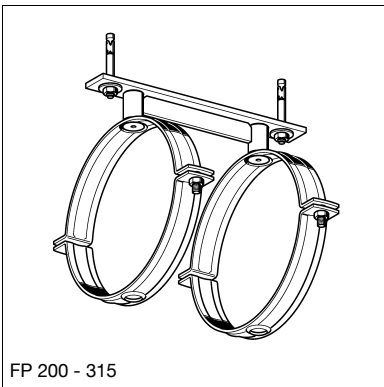
Pipe Clamps Stabil D-3G with lining, suitable for the sizes 40 up to 315. With Mounting Plate provided with single thread connection for sizes 40 up to 160 and double thread connection for sizes 200 up to 315, with two Bolt Screw Anchors M10.



Type	W [kg]	Quantity/ [pack]	Part number
FP 40 BE m.E.	0.47	1	<b>602505</b>
FP 50 BE m.E.	0.49	1	<b>602515</b>
FP 56 BE m.E.	0.50	1	<b>602525</b>
FP 63 BE m.E.	0.52	1	<b>602535</b>
FP 75 BE m.E.	0.61	1	<b>602545</b>
FP 90 BE m.E.	0.66	1	<b>602555</b>
FP 110 BE m.E.	0.72	1	<b>602565</b>
FP 125 BE m.E.	1.19	1	<b>602575</b>
FP 160 BE m.E.	1.37	1	<b>602585</b>
FP 200 BE m.E.	3.84	1	<b>602815</b>
FP 250 BE m.E.	4.31	1	<b>602825</b>
FP 315 BE m.E.	4.92	1	<b>602835</b>



FP 40 - 160



FP 200 - 315

### Fixed Point BE w/o Lining

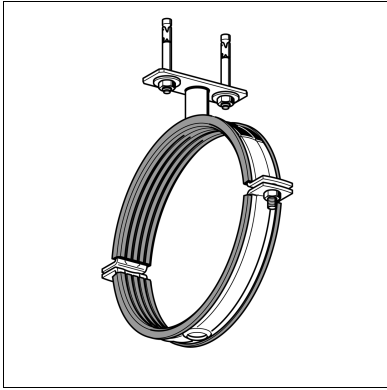
**Application**

Fixed Point construction for secure absorption of high mechanical loads resulting from Siaqua DSS Systems, being directly fixed to concrete.

**Configuration**

Pipe Clamp(s) Stabil D-3G without lining, suitable for sizes 40 up to 315 with Mounting Plate provided with single thread connection for sizes 40 up to 160 and double thread connection for sizes 200 up to 315, with two Bolt Anchors M10.

Type	W [kg]	Quantity/ [pack]	Part number
FP 40 BE o.E.	0.44	1	602500
FP 50 BE o.E.	0.46	1	602510
FP 56 BE o.E.	0.46	1	602520
FP 63 BE o.E.	0.48	1	602530
FP 75 BE o.E.	0.57	1	602540
FP 90 BE o.E.	0.58	1	602550
FP 110 BE o.E.	0.64	1	602560
FP 125 BE o.E.	0.67	1	602570
FP 160 BE o.E.	1.19	1	602580
FP 200 BE o.E.	3.26	1	602810
FP 250 BE o.E.	3.67	1	602820
FP 315 BE o.E.	5.00	1	602830



### Intermediate Fixed Point BE w/ Lining

**Application**

Soundproof Intermediate Fixed Point construction for secure absorption of shear forces resulting from branch pipe constructions. For direct fixation to concrete.

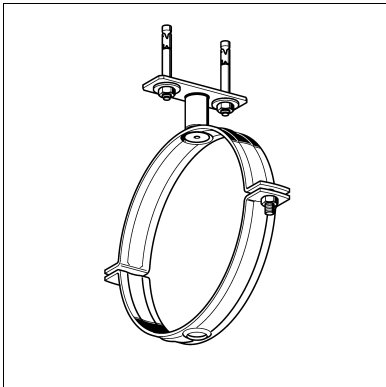
By means of intermediate fixed points the arising collateral forces of branch pipe sections are securely absorbed. Especially applicable for soundproof demands according to DIN 4109.

**Configuration**

Pipe clamp Stabil D-3G with lining suitable for sizes 200 up to 315 with Mounting Plate provided with single thread connection and two Bolt Anchors M10.

▷ For sizes 40 up to 160 Fixed Points BE with lining are used.

Type	W [kg]	Quantity/ [pack]	Part number
ZFP 200 BE m.E.	1.65	1	<b>602845</b>
ZFP 250 BE m.E.	1.88	1	<b>602855</b>
ZFP 315 BE m.E.	2.18	1	<b>602865</b>



## Intermediate Fixed Point BE w/o Lining

### Application

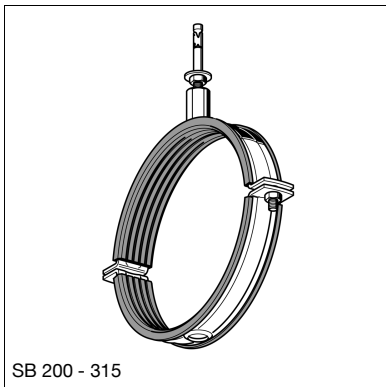
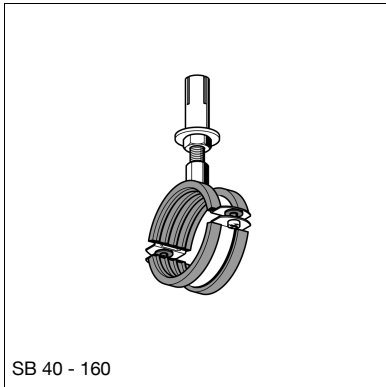
Intermediate Fixed Point construction for secure absorption of shear forces resulting from branch pipes. For direct fixation to concrete. By means of intermediate fixed point the arising collateral forces resulting from branch pipe sections are securely absorbed.

### Configuration

Pipe clamp Stabil D-3G without lining suitable for sizes 200 up to 315 with Mounting Plate provided with single thread connection and two Bolt Anchors M10.

▷ For sizes 40 up to 160 Fixed Points Be without lining are used.

Type	W [kg]	Quantity/ [pack]	Part number
ZFP 200 BE o.E.	1.37	1	<b>602840</b>
ZFP 250 BE o.E.	1.58	1	<b>602850</b>
ZFP 315 BE o.E.	2.24	1	<b>602860</b>



## Standard Fastening BE w/ Lining

### Application

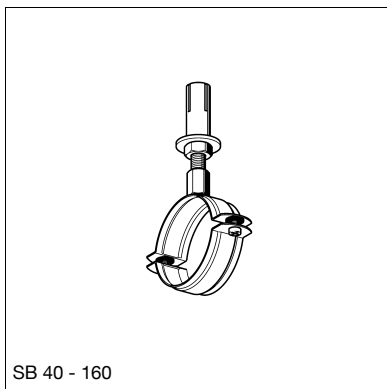
Soundproof standard fastening for direct fixation to concrete. Satisfies soundproof standards according to DIN 4109.

### Configuration

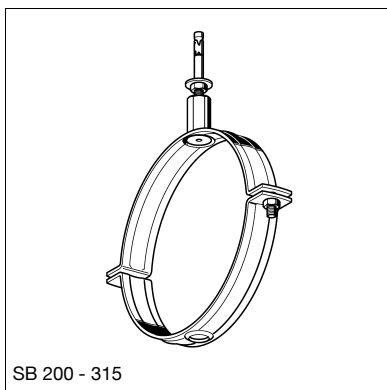
Pipe clamp Ratio S 2000 with Drive Plug, Grub Screw, Washer and Hexagon nut M10, suitable for sizes 40 up to 160.

Pipe clamp Stabil D-3G with lining with Bolt Anchor M10 and Round Rod Coupling R 1/2", suitable for sizes 200 up to 315.

Type	W [kg]	Quantity/ [pack]	Part number
SB 40 BE m.E.	0.16	1	<b>602605</b>
SB 50 BE m.E.	0.17	1	<b>602615</b>
SB 56 BE m.E.	0.17	1	<b>602625</b>
SB 63 BE m.E.	0.19	1	<b>602635</b>
SB 75 BE m.E.	0.20	1	<b>602645</b>
SB 90 BE m.E.	0.29	1	<b>602655</b>
SB 110 BE m.E.	0.41	1	<b>602665</b>
SB 125 BE m.E.	0.43	1	<b>602675</b>
SB 160 BE m.E.	0.53	1	<b>602685</b>
SB 200 BE m.E.	1.44	1	<b>602695</b>
SB 250 BE m.E.	1.68	1	<b>602705</b>
SB 315 BE m.E.	1.98	1	<b>602715</b>



SB 40 - 160



SB 200 - 315

### Standard Fastening BE w/o Lining

**Application**

Standard fastening for direct fixation to concrete.

**Configuration**

Duo Clamp 2G without lining, with Drive Plug, Grub Screw, Washer and Hexagon Bolt M10, suitable for sizes 40 up to 125.

Pipe Clamp Stabil D-3G without lining with Bolt Anchor M10 and Round Rod Coupling R 1/2", suitable for sizes 160 up to 315.

Type	W [kg]	Quantity/ [pack]	Part number
SB 40 BE o.E.	0.13	1	602600
SB 50 BE o.E.	0.15	1	602610
SB 56 BE o.E.	0.15	1	602620
SB 63 BE o.E.	0.16	1	602630
SB 75 BE o.E.	0.22	1	602640
SB 90 BE o.E.	0.24	1	602650
SB 110 BE o.E.	0.26	1	602660
SB 125 BE o.E.	0.32	1	602670
SB 160 BE o.E.	0.42	1	602680
SB 200 BE o.E.	1.17	1	602690
SB 250 BE o.E.	1.37	1	602700
SB 315 BE o.E.	2.04	1	602710